

# Compact 525 Frost Free Refrigerator / Freezer

**Models**  
N169T N249T

**Series**  
**R**



## PRODUCTS

**Brand** Fisher & Paykel, Frigidaire, Kelvinator

**Voltage** 220-240V 50Hz

**Model**            **Code**

N169T            10334 10337 10891

N249T            10331 10346 10890

Fisher & Paykel Customer Services  
PO Box 798  
19 Enterprise St  
Cleveland, Queensland 4163  
Australia  
Tel: (07) 3826 9122  
Fax: (07) 3826 9164  
Email: parts@fp.com.au  
A.C.N 003 335 171

Fisher & Paykel Ltd  
Whiteware Spare Parts  
PO Box 14-148, Panmure.  
80 Springs Rd, East Tamaki  
New Zealand  
Tel: (09) 272 0261  
Fax: (09) 272 0219  
Email: parts@fp.co.nz

## CONTENTS

DOOR ASSEMBLIES TOP FREEZER .....	3
CABINET TOP FREEZER.....	5
FRONT CABINET ROLLER.....	7
CONTROL BOX COMPONENTS.....	9
FAN AND EVAPORATOR COMPONENTS .....	11
EVAPORATOR PLATE AND DEFROST HEATER .....	13
COMPRESSOR AND BACK PANEL.....	15
NOTES .....	20

### GUIDE TO USING THIS MANUAL

The model(s) and/or series covered by this manual are listed on the front cover.

The information detailed in this manual is subject to change without notice, the latest version is indicated by the reprint date and replaces any earlier editions.

The front cover picture shows the type of product and may not necessarily be an exact image of the models covered by the manual.

#### Part References

Where a Model is shown, the part is exclusive to the Model(s) stated. Common parts relating to a part reference are applicable to all other Model(s) which use the particular item.

#### Kit Parts

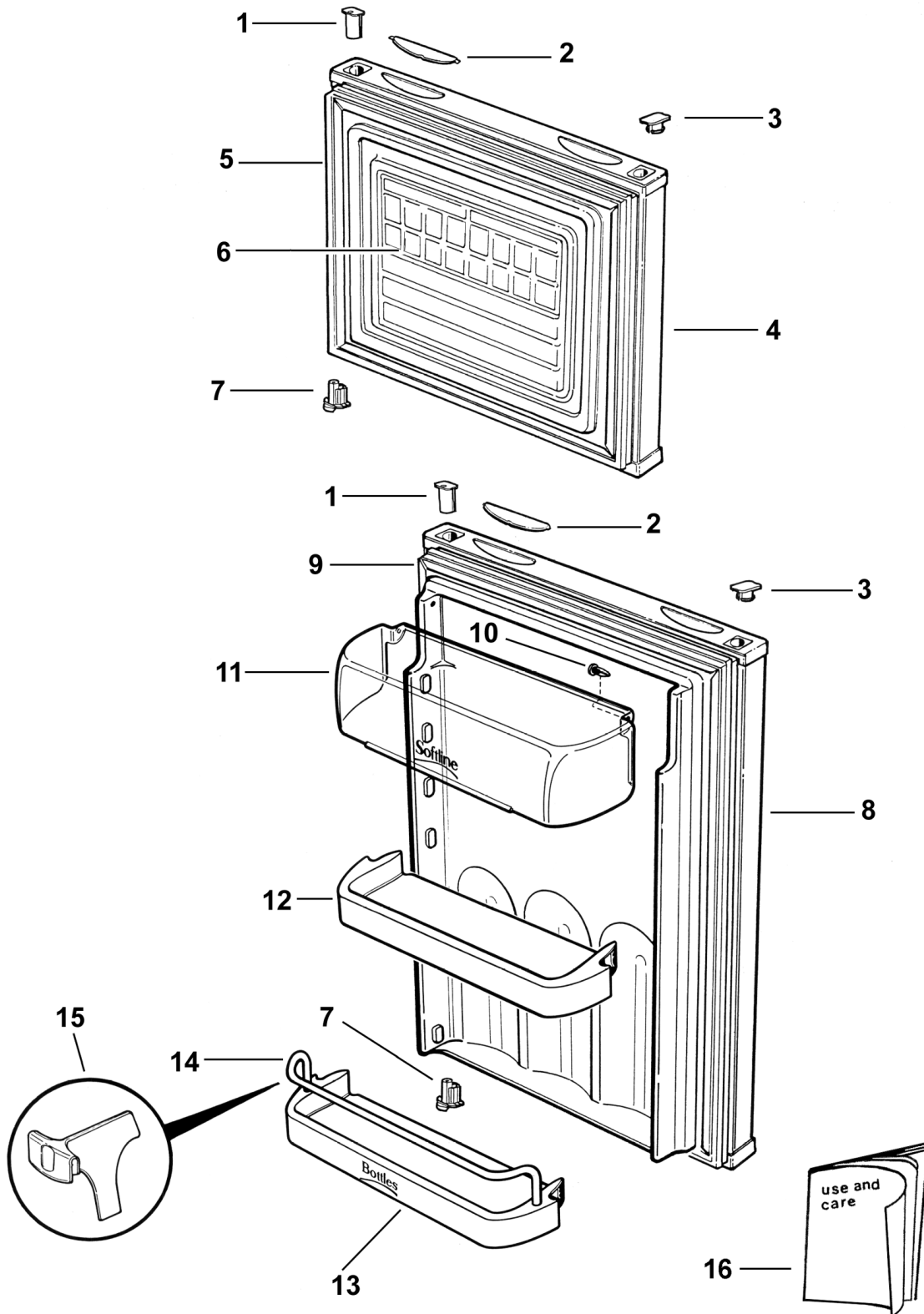
The components shown in *italics* are those parts in the kit which are available also as separate items. In addition, some parts may be supplied with this kit which are not available as separate items and are therefore not listed in this manual.

All details relating to Technical Bulletins or Notes are shown on a dedicated page. The Technical Bulletin Number shown relates to the bulletin version which is produced for New Zealand Service Centres.

#### Parts List Key

NOT USED	As a part, indicates the diagram part reference is not used in this manual.
#	Beside the part number, indicates the part is no longer available.
<i>italics</i>	Kit components shown in <i>italics</i> are also available separately.
*	Indicates a technical bulletin or note exists for the part or part reference.
NI	As a part reference, indicates the part is not illustrated on the diagram.

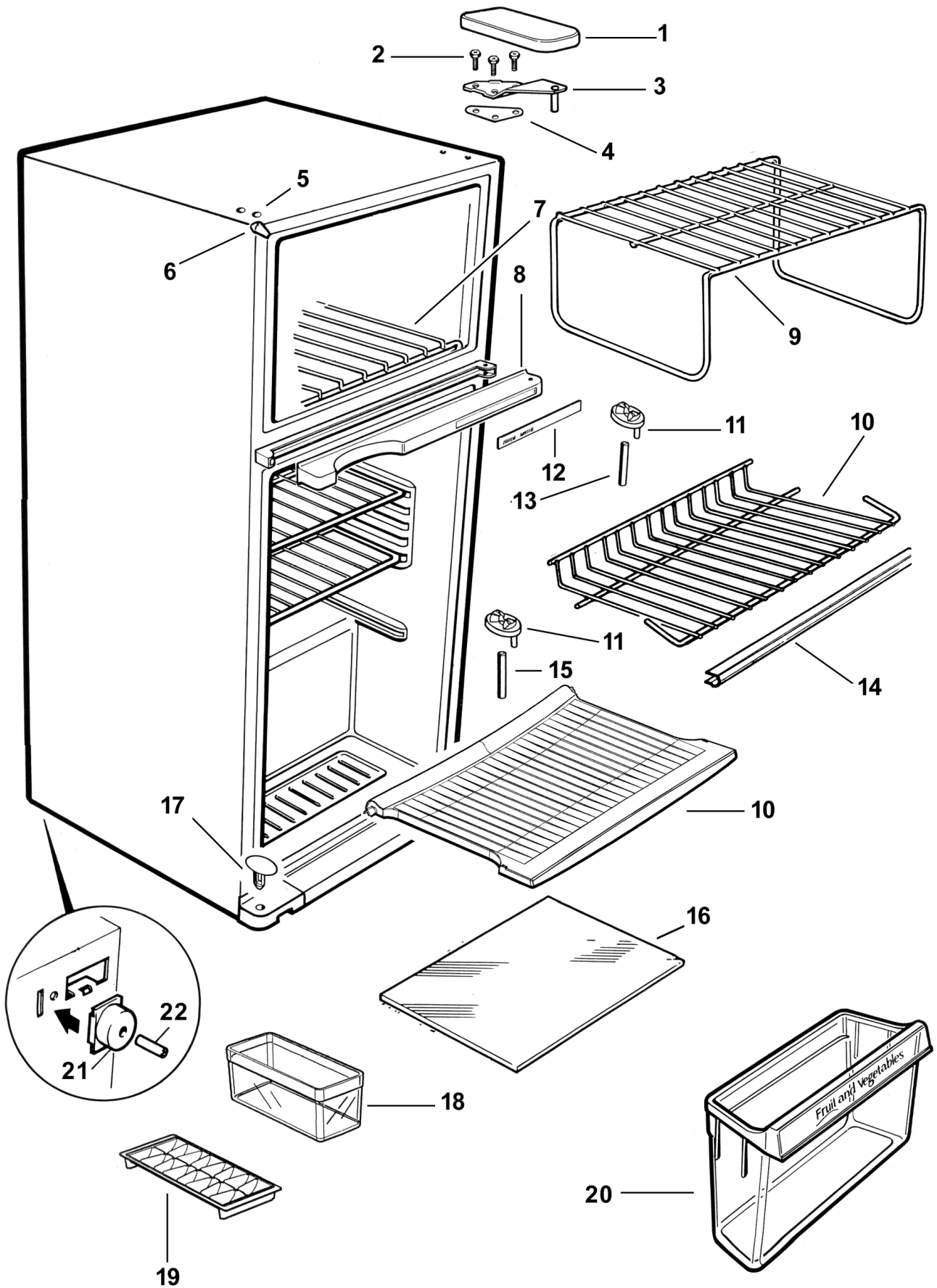
# DOOR ASSEMBLIES TOP FREEZER



**DOOR ASSEMBLIES TOP FREEZER**

<b>REF</b>	<b>PART</b>	<b>DESCRIPTION</b>	<b>MODEL</b>
1	875425	PLUG PIVOT DOOR CLOSING WHITE	
2	875652	COVER HANDLE RECESS SOFT WHITE	
3	882348	PLUG DOOR END CAP SOFT WHITE	
4	818492	DOOR FC SOFT WH C25OT WH NOGAS	
		<i>875128 PLUG CAM DOOR CLOSING WHITE</i>	
		<i>875425 PLUG PIVOT DOOR CLOSING WHITE</i>	
		<i>882348 PLUG DOOR END CAP SOFT WHITE</i>	
5	872031P	GASK ASSY PUSHIN 525X 358 LTGR	
6	878472	LABEL FREEZER STORAGE GUIDE 52	
7	875128	PLUG CAM DOOR CLOSING WHITE	
8	818489	DOOR PC SOFT WH C24OB WH NOGAS	N169T
		<i>875128 PLUG CAM DOOR CLOSING WHITE</i>	
		<i>875425 PLUG PIVOT DOOR CLOSING WHITE</i>	
		<i>882348 PLUG DOOR END CAP SOFT WHITE</i>	
	818490	DOOR PC SOFT WH C25OT WH NOGAS	N249T
		<i>875128 PLUG CAM DOOR CLOSING WHITE</i>	
		<i>875425 PLUG PIVOT DOOR CLOSING WHITE</i>	
		<i>882348 PLUG DOOR END CAP SOFT WHITE</i>	
9	872029P	GASK ASSY PUSHIN 525X 746 LTGR	N169T
	872028P	GASK ASSY PUSHIN 525X1134 LTGR	N249T
10	871123	PLUG/PIN HINGE DAIRY COVER	
11	876253	COVER DOOR SHELF 525 MOULDED	
12	874977	SHELF DOOR MOULDED 525 WHITE	
13	874979	SHELF DOOR HSM876720 DK/GR 525	
14	876625	RAIL BOTTLE SUPPORT 525	
15	882734	DIVIDER BOTTLE RAIL WHITE	
16	881368	BOOKLET USE & CARE 525 C635	
NI	878434	LEAFLET WARRANTY AUST	
NI	878438	LEAFLET WARRANTY NEW ZEALAND	
NI	872959	SMARTCARE LEAFLET&ENVELOPE AUS	
NI	479151	LEAFLET SMART CARE NZ	

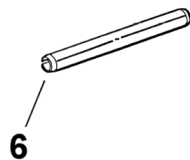
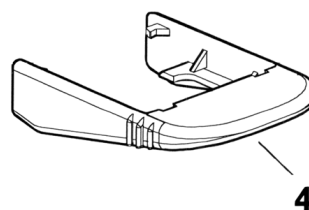
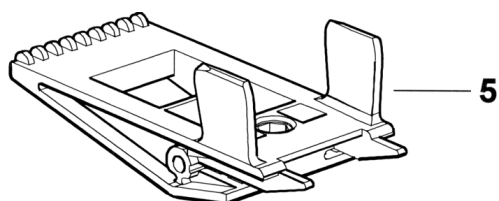
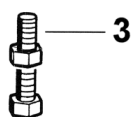
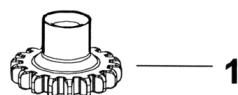
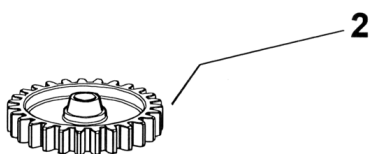
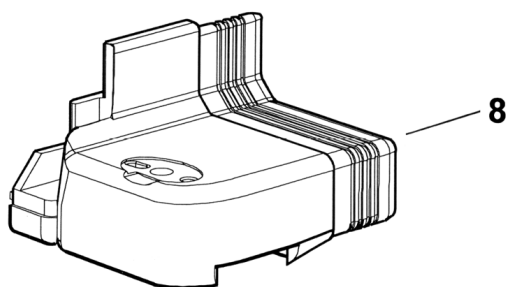
# CABINET TOP FREEZER



**CABINET TOP FREEZER**

<b>REF</b>	<b>PART</b>	<b>DESCRIPTION</b>	<b>MODEL</b>
1	882346	COVER HINGE TOP SOFT WHITE	
2	610312	SCREW MC M5X20 HEX PH MS ZNPL	
3	882319	BRACKET TOP HINGE ASSY PLATED	
4	882355	GASKET TOP HINGE	
5	855261	PLUG TAPPED HOLE WHITE	
6	871504	TRIM CORNER WHITE	
7	874739	SHELF FC T FF BASE 525	
8	874971	COVER CROSS RAIL SOFT 525 WH	
9	875324	SHELF FC FORMED N/F 525	
10	* 872000	SHELF PC WHITE 525	
	872244	SHELF PC WHITE	
	* 875049	SHELF PC PLASTIC 525	
11	875834	BEARING CAM DOOR 1.9MM WHITE	
12	878219	NAMEPLATE INSERT FRIG WH XR LC	
	878222	NAMEPLATE INSERT KELV WH XR LC	
	880726	NAMEPLATE F&P ASS	
13	871880	PIN CENTRE HINGE	
14	876142	TRIM SHELF PC 525 WHITE	
15	875418	PIN PIVOT 40MM SS	
16	854900	SHELF GLASS BOTTOM PC 525	
17	875405	PLUG BOTTOM HINGE BRACKET WH	
18	871129	BIN EGG/ICE MOULD ALL BRANDS	
19	874107	TRAY ICE BASE	
20	881162	BIN CRISP 'T' HSM872613 BLUE 5	
21	402015	FOOT SKID PLASTIC	
22	402016	PIN-SKID	

# FRONT CABINET ROLLER





## FRONT CABINET ROLLER

REF	PART	DESCRIPTION	MODEL
1	878452	PINION ROLLER ASSEMBLY GREY	
2	878450	GEAR ROLLER ASSEMBLY	
3	878316	SCREW M5X25 & M5 NUT	
4	878448	BRAKE ROLLER ASSEMBLY	
5	878446	CHASSIS ROLLER ASSEMBLY	
6	878458	ROLL PIN 4.5DIAX45 PASSIVE ZP	
7	875411	WHEEL FRONT ROLLER ASSY	
8	* 878442	BRACKET CORNER HINGE LEFT WHIT	
	878443	MOULDING BOTTOM HINGE WHITE RH	
NI	502229	KIT FRONT ROLLER ASSY	

*875411 WHEEL FRONT ROLLER ASSY*

*878316 SCREW M5X25 & M5 NUT*

*878446 CHASSIS ROLLER ASSEMBLY*

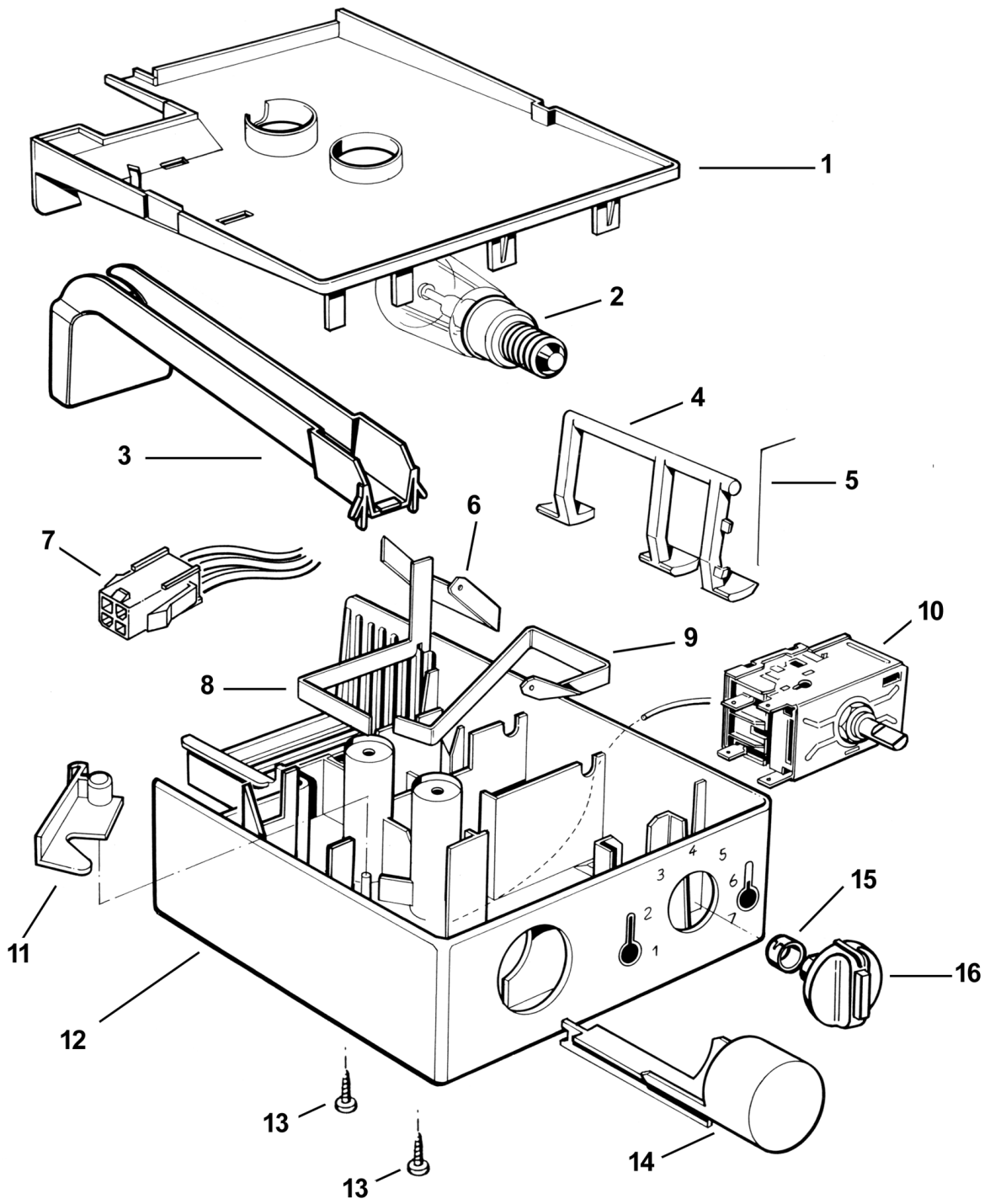
*878448 BRAKE ROLLER ASSEMBLY*

*878450 GEAR ROLLER ASSEMBLY*

*878452 PINION ROLLER ASSEMBLY GREY*

*878458 ROLL PIN 4.5DIAX45 PASSIVE ZP*

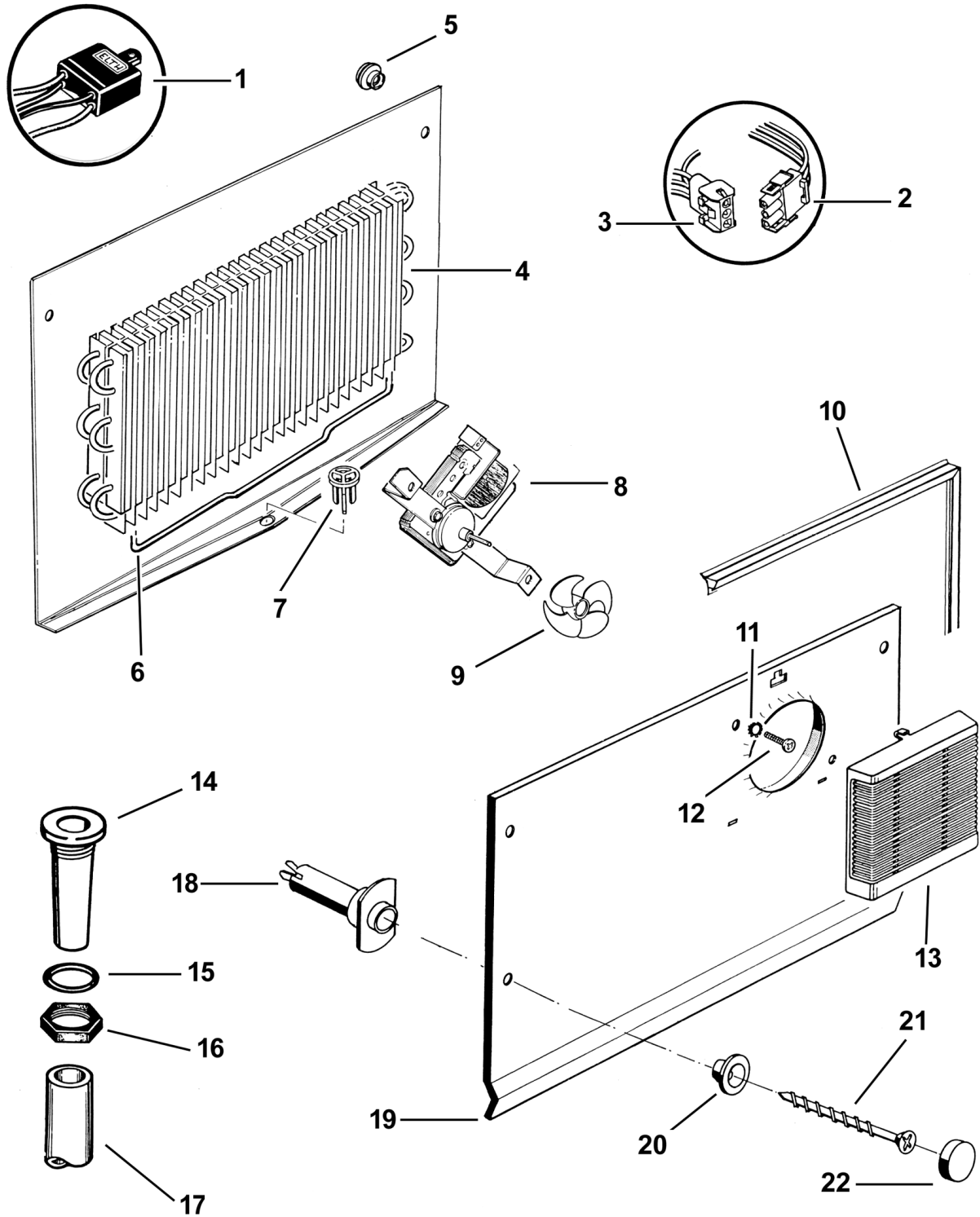
# CONTROL BOX COMPONENTS



## CONTROL BOX COMPONENTS

REF	PART	DESCRIPTION	MODEL
1	877729	COVER CONTROL BOX TOP	
2	871312P	LAMP 230V 15W SES	
3	872021	DUCT CONTROL BOX 525	
4	874892	DOOR CONTROL BOX 635	
5	871040	SPRING CONTROL BOX DOOR	
6	871302	TERMINAL NEUTRAL CONTROL BOX	
7	855251	CAP 4 WAY HOUS MOLEX M5559-04P	
8	871032	TERMINAL SPRING CONT. BOX 635	
9	872470	TERMINAL PHASE CONTROL BOX	
10	878563P	CONTROL RANCO K59 P6827	
11	876995	CAM CONTROL BOX	
12	877728	CONTROL BOX BASE HSM877727 DK/	
13	SP0055	SCREW #8X20 AB PAN PHIL SS	
14	876747	KNOB LIGHT SWITCH WHITE 635	
15	874794	CLIP CONTROL ASSY KNOB	
16	876626	KNOB CONTROL ASSY WHITE/DK GRE	
		<i>873459 KNOB CONTROL WHITE</i>	
		<i>874794 CLIP CONTROL ASSY KNOB</i>	
		<i>876491 TRIM KNOB DK GREY-REPLACED BY 876626</i>	
NI	855250	PLUG 4 WAY HOUS MOLEX M5557-04	
NI	855252	PIN CONNECTOR MOLEX M5558	
NI	855253	SOCKET CONNECTOR MOLEX M5556	
NI	855246	HARNESS CONTROL BOX F/F 525	
NI	877725	PACK BUTTER COMPT (1X877724 IN	
		<i>871083 SPRING DOOR BUTTER COMP.</i>	
		<i>871125 COVER BUTTER TRAY ALL BRANDS</i>	
		<i>871896 LINER BUTTER COMPARTMENT HS</i>	
		<i>877293 COVER BUTTER COMPARTMENT</i>	
		<i>877650 HEATER BUTTER CONDITIONER 7.0W</i>	
		<i>877720 HARNESS BUTTER CONDITIONER PHA</i>	
		<i>877723 KNOB CONTROL BC PRINTED LOCAL</i>	
		<i>878260 CONTROL SLIDE POTENTIOMETER 15</i>	
		<i>880267 TRAY BUTTER SHELF WHITE</i>	
		<i>880580 DOOR BUTTER COMPARTMENT BLUE</i>	

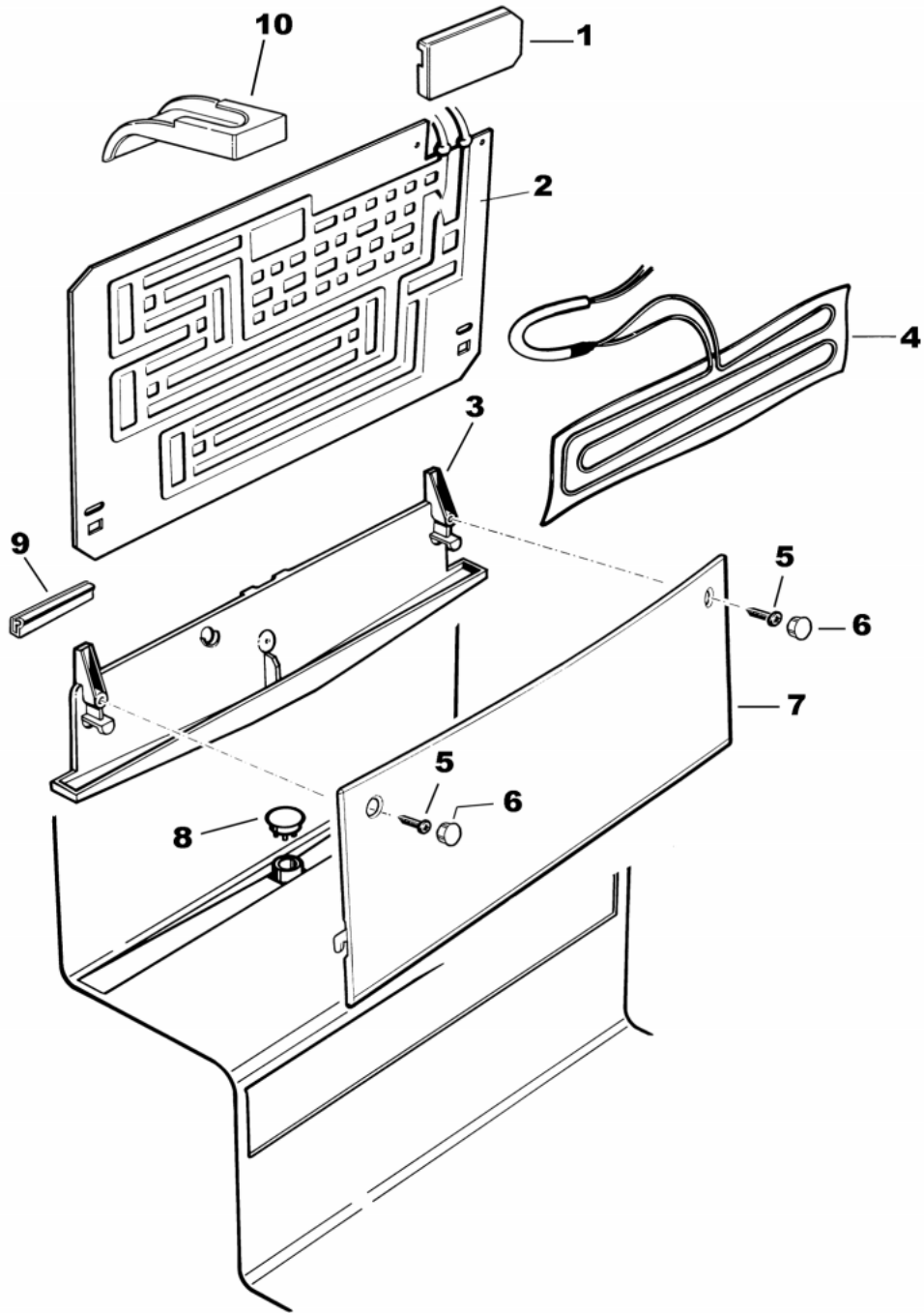
# FAN AND EVAPORATOR COMPONENTS



**FAN AND EVAPORATOR COMPONENTS**

<b>REF</b>	<b>PART</b>	<b>DESCRIPTION</b>	<b>MODEL</b>
1	871962	HARNESS DEFROST CONTROL 230V	
2	900299	HOUSING 3WAY PLUG AMP 1-480700	
3	900230	HOUSING 3WAY CAP AMP 1-480701-	
4	873365	EVAP ASSY 175 2 525 25 220-240	
		<i>871962 HARNESS DEFROST CONTROL 230V</i>	
		<i>873002 TAPE FOAM 50X12X4MM</i>	
		<i>873369 HEATER DEFROST 175X525 220-240</i>	
		<i>873915 HARNESS EARTH</i>	
		<i>875150 CLIP SPRING RETAINER DEF TERM</i>	
		<i>875151 CLIP SPRING CLAMP</i>	
		<i>900235 HOUSING 2WAY PLUG 1-480698-0</i>	
5	874776	GROMMET EVAP TUBE	
6	873369	HEATER DEFROST 175X525 220-240	
7	876771	FILTER 'P' CATCHER DRAIN	
8	878393	MOTOR FAN & BRACKET ASSY 230V	
9	805428	FAN BLADE	
10	873068	GASKET EVAP COVER NOTCHED 525	
11	900101	WASHER LOCK NO 10 EXT SP ZP	
12	900453	SCREW #10X32X9.5MM TYP 1 PAN P	
13	878464	COVER FAN FROST FREE	
14	875470	DUCT DRAIN F/F 'B' MODELS	
15	877733	WASHER 'O'RING -114 SILICONE	
16	875957	NUT M16X1.5 NYLON	
17	876875	DUCT DRAIN 1075MM	
18	874935	BRACKET COIL & COIL COVER SUP	
19	873066	COVER EVAP F/F 525	
20	871174	WASHER EVAP COVER	
21	SP0207	SCREW #10X75 SCREWFAS CSK PH	
22	878483	COVER EVAP SCREW	
NI	345-040291	SOCKET CONNECTOR AMP MATE-N-LO	
NI	345-040304	PIN CONNECTOR AMP MATE-N-LOK	
NI	502152	KIT DRAIN PC STRAIGHT	
		<i>875470 DUCT DRAIN F/F 'B' MODELS</i>	
		<i>875957 NUT M16X1.5 NYLON</i>	
		<i>877733 WASHER 'O'RING -114 SILICONE</i>	

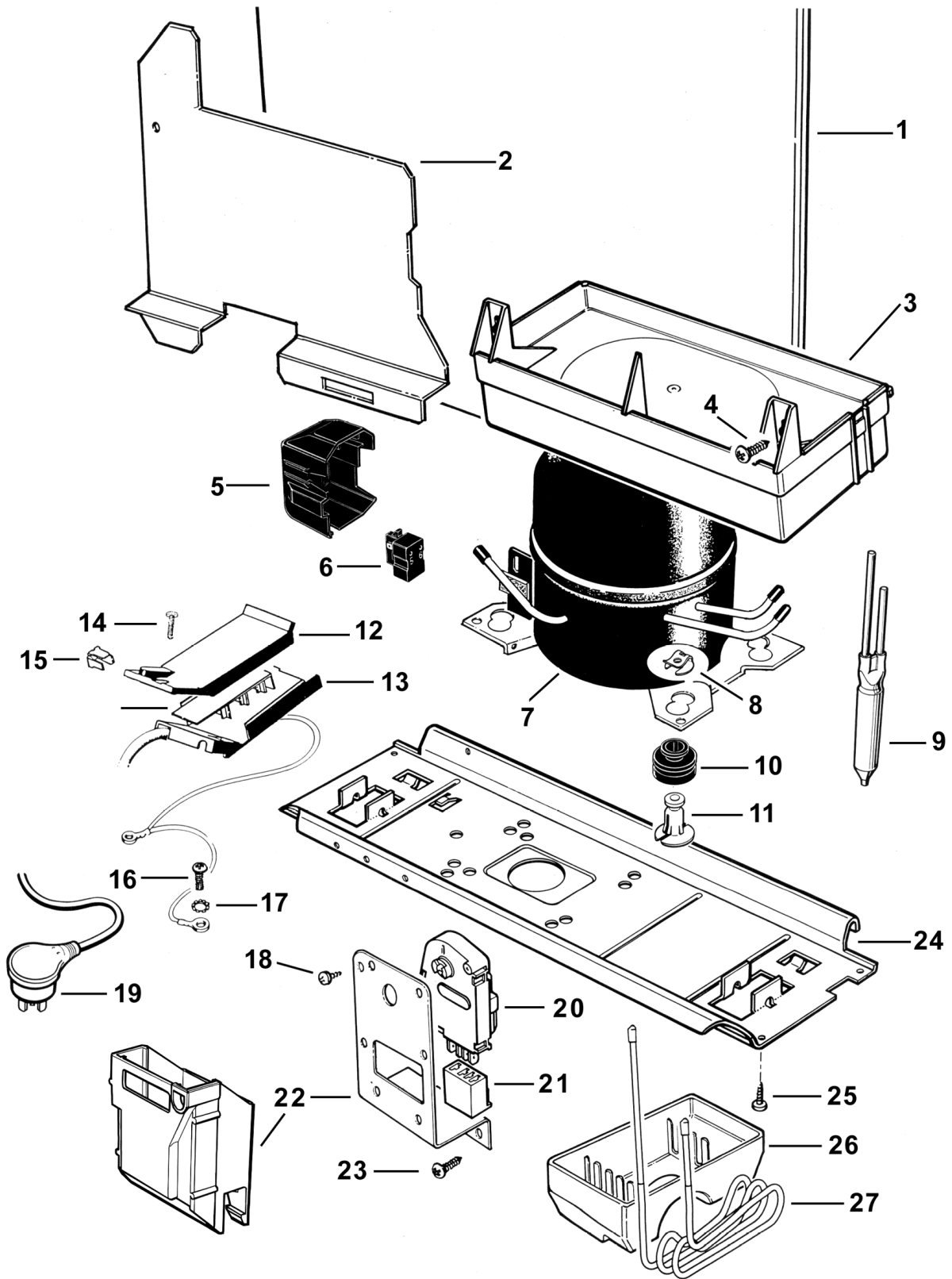
# EVAPORATOR PLATE AND DEFROST HEATER



**EVAPORATOR PLATE AND DEFROST HEATER**

<b>REF</b>	<b>PART</b>	<b>DESCRIPTION</b>	<b>MODEL</b>
1	851302	COVER EVAP PLATE	
2	871399	DUCT WATER DEFLECTOR	
3	878278	EVAP PAINTED ASSY 250/120 TOP	
4	877319P	HEATER DEFROST SLEEVED 220-240	
5	SP0059	SCREW #8X40 AB PAN PHIL SS	
6	876732	PLATE DEFROST HEATER	
7	851800	COVER DRAIN TUBE MOULDED	
NI	874777	GROMMET DUCT	
NI	878276	RETAINER PHIAL TUBE PAINTED	

# COMPRESSOR AND BACK PANEL

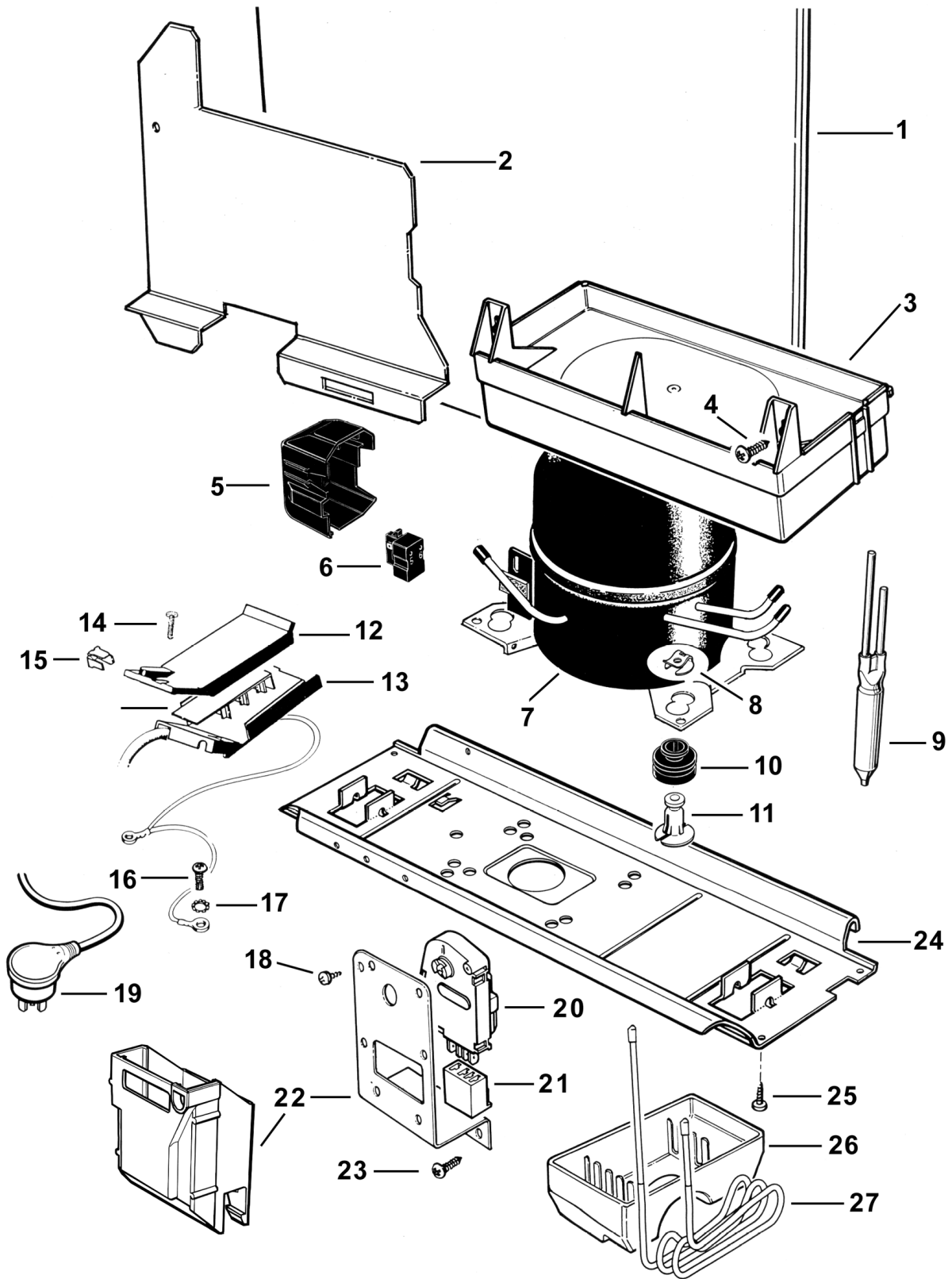




**COMPRESSOR AND BACK PANEL**

<b>REF</b>	<b>PART</b>	<b>DESCRIPTION</b>	<b>MODEL</b>
1	873718	PANEL BACK ASSY F160 C170T (HO	N169T
	873719	PANEL BACK ASSY C270 C240B (HO	N249T
2	876275	COVER COMP COMPT 525 RF	
3	876653	TRAY WATER EVAPORATOR NOTCHED	
4	SP0201P	SCREW 8X12 PAN PH NIB PKT10	
5	209788	COVER PROT SB SERIES 01-894080	
	* 209863	COVER PROTECTOR 01-8983840	
6	* 209862	RELAY S-PTC MM8-711B	
	209988	RELAY PTC D SERIES MM8-5DDT33M	
7	209298P	COMP NA SD51C10WAY5 220-240V	
	209683	<i>CLAMP B 01-274460</i>	
	* 209862	<i>RELAY S-PTC MM8-711B</i>	
	* 209863	<i>COVER PROTECTOR 01-8983840</i>	
	502173	<i>FILTER DRIER 12 GR DUAL BRAZED</i>	
	855217	<i>CLAMP CORD</i>	
	855218	<i>SCREW SOCKET CAP #4X25</i>	
	872838	<i>GROMMET COMPRESSOR MOUNTING</i>	
8	855270	CLIP COMPRESSOR MOUNTING	
9	502173	FILTER DRIER 12 GR DUAL BRAZED	
10	872838	GROMMET COMPRESSOR MOUNTING	
11	850265	PIN COMPRESSOR MOUNTING	
12	874888	LID TERMINAL BLOCK	
13	875116	BASE TERMINAL BLOCK	
14	SP0006	SCREW #8X20 AB PAN PHIL ST ZP	
15	874338	TERMINAL 3WAY	
16	900377	SCREW #8X32X8 TY T PAN PH ZP	
17	SP0351#	WASHER LOCK 5MM EXT ZNPL	
18	SP0008	SCREW #6X12 AB TRUSS PH ST ZP	
19	816886	CORD POWER CABLE 230V 3 PIN SE	
	* 855257	CORD POWER CABLE 230V	
20	873253P	TIMER DEFROST PARAGON 12HR 240	
21	805422	HOUSING RECEPT TIMER DEFROST	
22	855244	BRACKET DEFROST TIMER MOULDED	
	875433	BRACKET TIMER	
23	900382#	SCREW ST 8X3/8 TYPE AB PAN PH ZNPL	
24	878486	TRAY COMP MOUNTING 525	
25	900475	SCREW #8X16.4MM SP PAN NIB ST	

# COMPRESSOR AND BACK PANEL



## COMPRESSOR AND BACK PANEL

<b>REF</b>	<b>PART</b>	<b>DESCRIPTION</b>	<b>MODEL</b>
26	873228	TRAY WATER OVERFLOW	
27	872345	HEATSHRINK TUBE O/FLOW TRAY	
NI	815211	SUCTION & CAPILL ASSY RED TAPE	
NI	850027	GROMMET INJECTION MOULDED	
NI	876908	DUCT EXTRUDED HARNESS 650MM	



## NOTES

### CABINET TOP FREEZER

#### Technical Bulletins

872000	RF001
875049	RF001

### FRONT CABINET ROLLER

#### Technical Bulletins

8	RF95
---	------

### COMPRESSOR AND BACK PANEL

#### Technical Bulletins

209862	RF100, RF98
209863	RF100, RF98
855257	RF100, RF98